

# UNITAIR™ Metal

Enerconcept offers the most simple and economical way to preheat outside air



The Unitair™ is a metal collector that preheats outside make-up air admitted into the building, in a very simple manner.

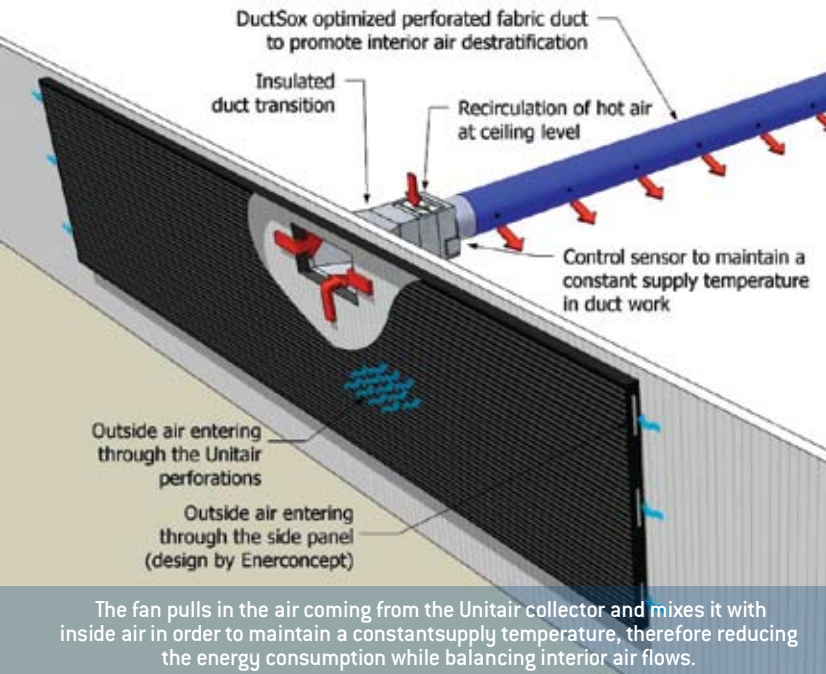


T. 819 843.1323 | F. 819 843.7103  
info@enerconcept.com  
enerconcept.com

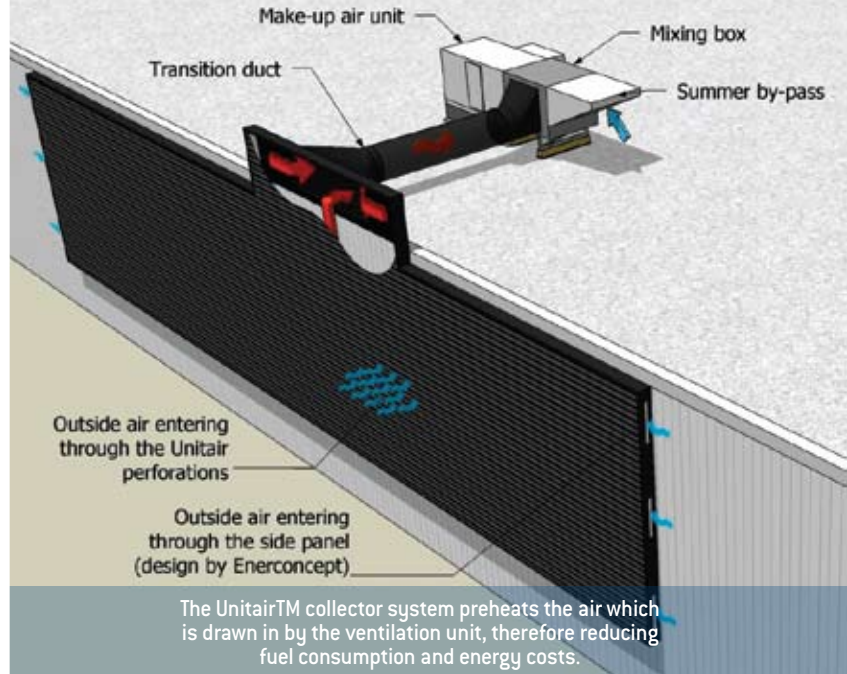
# UNITAIR™

## outside air preheating: main configurations

### Direct supply by ventilation



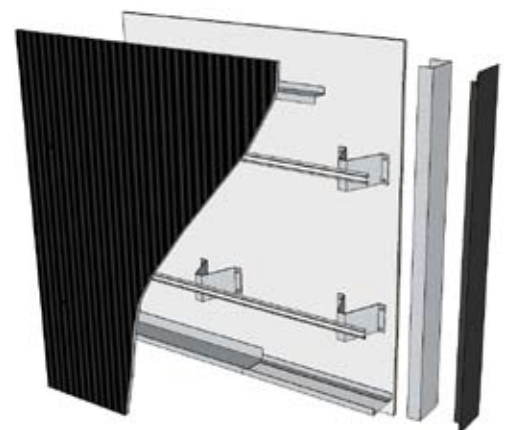
### Tied to make-up air unit



Fully integrated from an architectural point of view, the Unitair collector is well-suited for institutional and industrial buildings for which aesthetic and/or resistance requires a metal siding wall.

The Unitair lends itself perfectly to buildings where a large wall surface is available in relation to the required fresh air flow.

Each project is unique depending on the required air flow and available wall surface.



## Benefits

- Easy to install
- Tailored design
- Cost effective
- Maintenance free

